

Flat Cable Clips



• Application:

Suitable for securing cables and wiring to wood, masonry and compressed board; for fastening materials on bricks, blocks and concrete; withstands bending up to 45°.

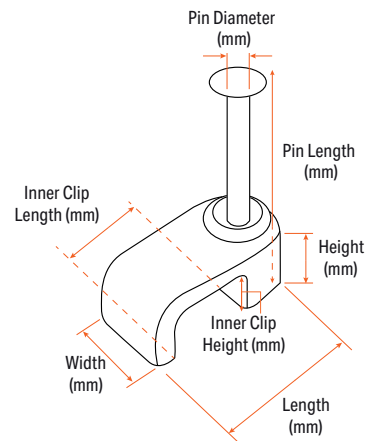
• Range:

- Flat Grey Clips: For Twin and Earth range of cables (1.0 mm to 10.0 mm diameter, 1, 2 & 3 core).
- Round Clips: Flexible design, suits cable sizes 3 mm to 19 mm diameter, in Black, White and Brown (Red in 7.0 to 9.0 mm only).
- Bell Wire Clips: For securely fixing bell wire.

• Materials

:

- Grey Clips: HDPE all weather material, strong resistance to corrosion.
- Round Clips: Heavy duty PP with reasonable resistance to corrosion.
- Bell Wire Clips: Heavy duty PP with reasonable resistance to corrosion.
- Nails: High Carbon Steel SAE 1060, Heat treated to safety specification.



Item No.	Colour	Cable Diameter (mm)	Length (m)	Pin Diameter	Pin Length	Height (mm)	Width (mm)	Inner Clip Height	Inner Clip Length
NEC1	Grey	1.0	16.3	2.5	23	7.3	8.5	4.7	8.5
NEC2	Grey	1.5	16.3	2.5	23	7.3	8.5	4.7	8.5
NEC7	Grey	1.5	24.2	2.5	23	7.3	8.5	4.5	16.7
NEC3	Grey	2.5	18.2	2.5	23	8.3	9.5	5.5	10.2
NEC8	Grey	2.5	26.8	2.5	23	8.2	9.5	5.3	19.3
NEC4	Grey	4.0	20.4	2.5	23	9.3	8.5	6.2	11.5
NEC5	Grey	6.0	22.2	2.5	30	10.5	9.5	7.1	13.5
NEC6	Grey	10.0	25.6	2.5	30	11.4	9.5	8.4	18.1
NEC9	Grey	1.0	18.6	2.5	23	7.0	8.1	4.6	10.2